



# Belt Pulley Service Kit

Models: E5, R3, Speed Ex, Strive Compact



This kit is intended for models manufactured between serial numbers 1000000-10440700 and 6000000-60007385. This kit includes the necessary parts to prevent the belt pulley screw from backing out due to vibration (torque bond breaking loose) resulting in pulley assembly damage.

**NOTE:** For T1 models order Kit 9008249. For Nobles Speed Scrub 15" models order kit 9008298.

## INSTALLATION INSTRUCTIONS:

**Installation Time: 0.5 Hours**

**TOOLS REQUIRED:** Drill with 8mm drill bit, Phillips Screwdriver, 13 Wrench and 6mm Allen Wrench.

**FOR SAFETY:** Before installing kit, unplug power cord from wall outlet.

Kit Contents				
Item No.	Part Number	Part Description	9006841 Kit Qty	9006842 Kit Qty
1	1057476	Screw, M8x1.25x55	1	2
2	1057482	Washer, Flat	1	2
3	1030614	Pulley	1	-
3	1030625	Pulley	-	2
4	08713	Nut, Hex, Lock, M8x1.25	1	2

1. Remove the brush pulley from machine as shown (Figure 1).
2. Remove the brush(es) from the scrub head
3. Carefully drill out the threads in the brush hub with an 8mm drill bit (Figure 2). Do not remove brush hub from machine.
4. Reassemble the brush pulley assembly using the new pulley and hardware supplied from kit (Figure 3).
5. Replace the belt and cover and operate the machine to ensure pulley assembly is operating properly.

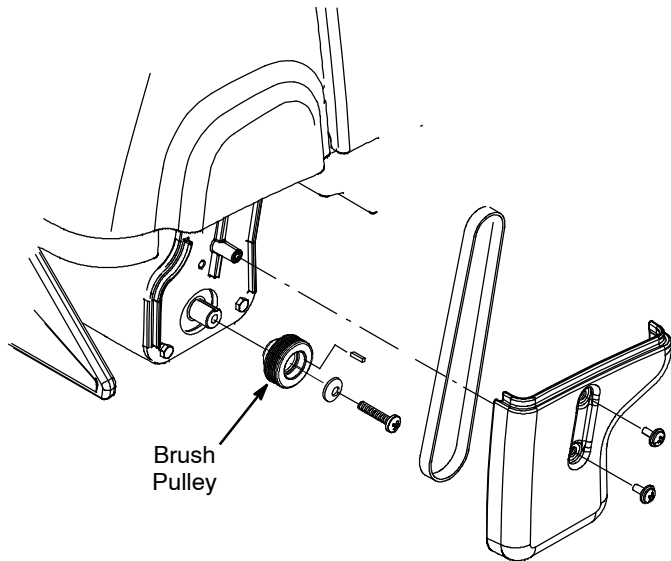


FIG. 1

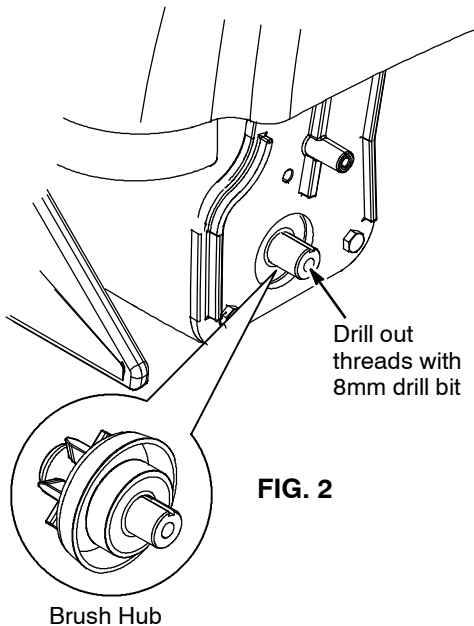


FIG. 2

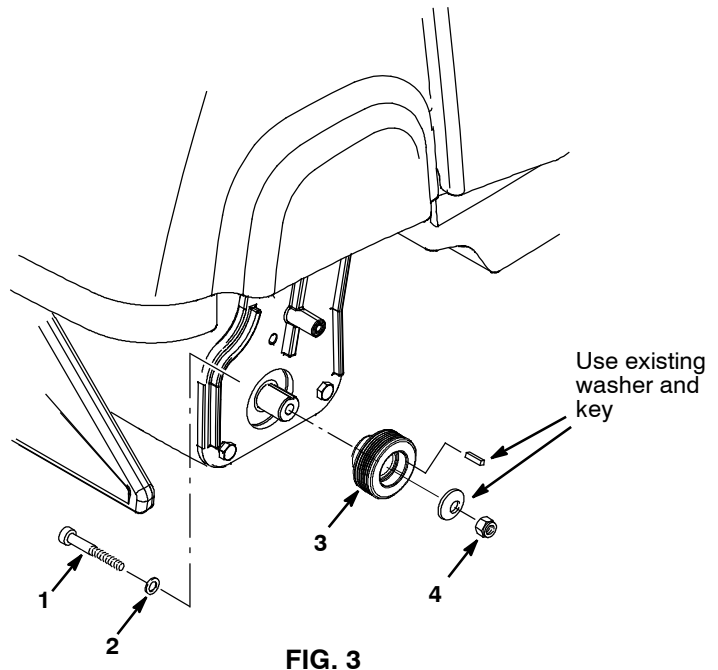


FIG. 3